

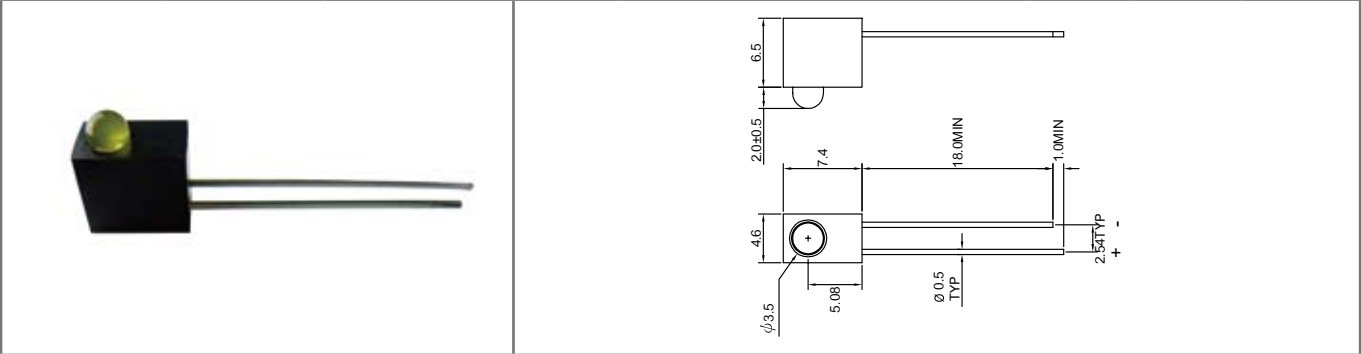
Short Form PCB Indicators

**OPTO ELECTRONIC
COMPONENTS**

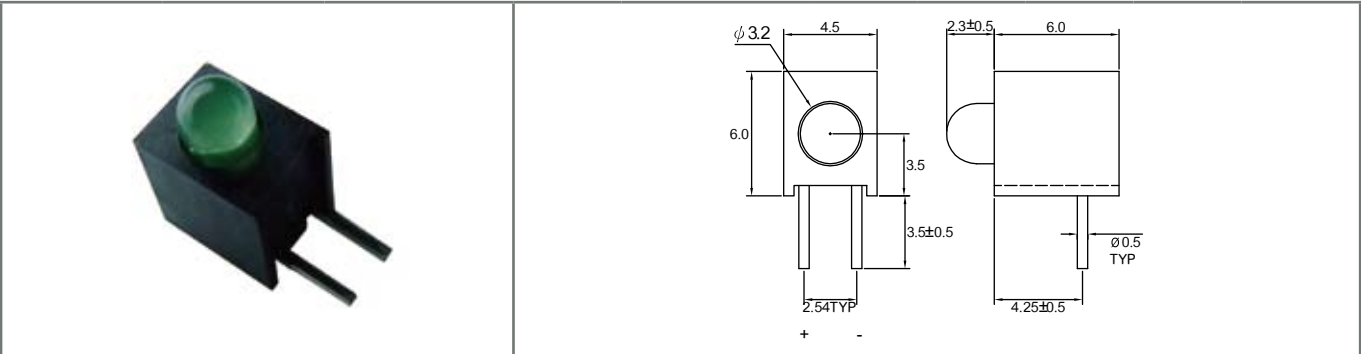


Greener
and brighter

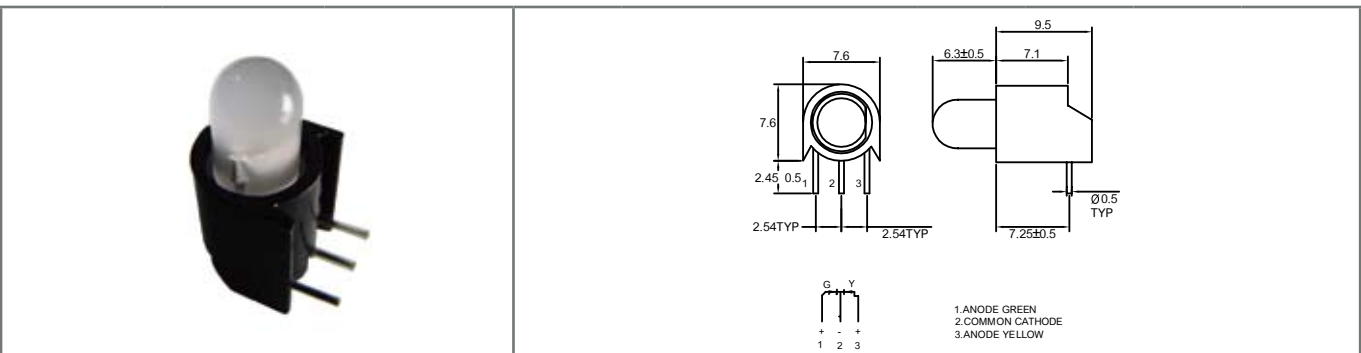
HOUSING LED LAMP



Part No	Chip			Lens color	Vf(V)@20mA		Iv (mcd) @10mA		Viewing angle 2θ½
	Material	Emitted color	λP(nm)		Min	Max	Min	Typ	
LA16B/I	GaAsP/GaP	Orange Red	635	Red Diffused	1.7	2.6	8	12	50
LA16B/G	GaP	Green	565	Green Diffused	1.7	2.6	12	20	50
LA16B/Y	GaAsP/GaP	Yellow	585	Yellow Diffused	1.7	2.6	8	12	50



Part No	Chip			Lens color	Vf(V)@20mA		Iv (mcd) @10mA		Viewing angle 2θ½
	Material	Emitted color	λP(nm)		Min	Max	Min	Typ	
LA140B/I	GaAsP/GaP	Orange Red	635	Red Diffused	1.7	2.6	7.5	12	50
LA140B/G	GaP	Green	565	Green Diffused	1.7	2.6	12	20	50
LA140B/Y	GaAsP/GaP	Yellow	585	Yellow Diffused	1.7	2.6	8	12	50



Part No	Chip			Lens color	Vf(V)@20mA		Iv (mcd) @10mA		Viewing angle 2θ½
	Material	Emitted color	λP(nm)		Min	Max	Min	Typ	
LA46B/EG	GaAsP/GaP	Orange Red	635	White Diffused	1.7	2.6	7.2	12	70
	GaP	Green	565	White Diffused	1.7	2.6	7.2	12	70
LA46B/YG	GaAsP/GaP	Yellow	585	White Diffused	1.7	2.6	7.2	12	70
	GaP	Green	565	White Diffused	1.7	2.6	7.2	12	70

HOUSING LED